



Designer Shade Edition / Solar Shade Edition

ELITETM
WINDOW FASHIONS
SHADES SHUTTERS DRAPES

Green By Nature

Many of our shade fabrics have been accredited with environmentally friendly certifications from 3rd party organizations, including Greenguard, Öko-Tex Standard 100, and Microban. Elite chooses its fabrics with our consumer and the environment in mind. We believe in a responsibility to provide safe and high quality fabrics with no harmful chemicals, odours, or compounds that could be harmful to one's health. We wish to provide you with peace of mind and to ensure a safe home and office environment.



Greenguard is an indoor air quality certification program for low emitting products and materials. It evaluates over 75,000 chemicals, including VOC's, carcinogens, and reproductive toxins.

Greenguard tests on a quarterly basis to ensure compliance with their strict standards. Greenguard certification is a requirement reference in the Leadership for Energy and Environmental Design (**LEED™**) for Commercial Interiors Rating System.



The Öko-Tex® Standard 100 is a globally uniform testing and certification system for textiles at all stages of production upholding rigid standards and other measures to safeguard health.

It tests for a) harmful substances prohibited or regulated by law, b) chemicals which are known to be harmful to health, and for c) precautions to limit growth of bacteria, fungus, and other microorganisms.



Microban antimicrobial protection works continuously for the lifetime of the shade to inhibit the growth of stain and odour-causing bacteria, mold, and mildew.

Fabrics infused with Microban antimicrobial technology are ideal for any commercial or residential environment where microbes are a concern including: Healthcare, Hospitality, Home & Office, School, and Institutions.



Sanitized® Antimicrobial Protection treated fabric effectively reduces the development of bacteria, odour, fungi and dust mites.

Duraguard™ Fabric Protector repels most stain causing agents with its proven, water based, fluorochemical formula. It makes cleaning and maintaining your fabric much easier.

Elite Window Fashions is a proud member of

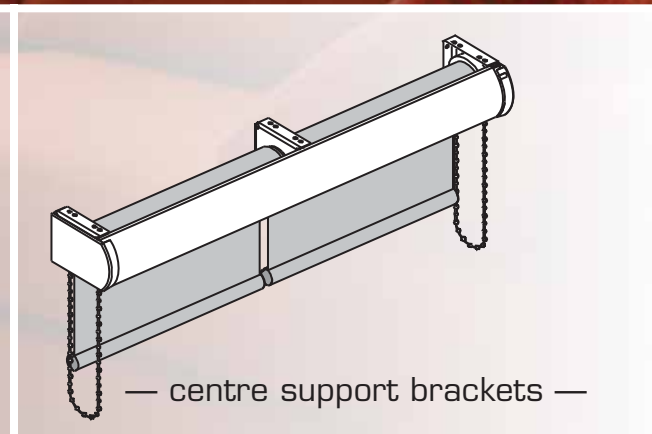
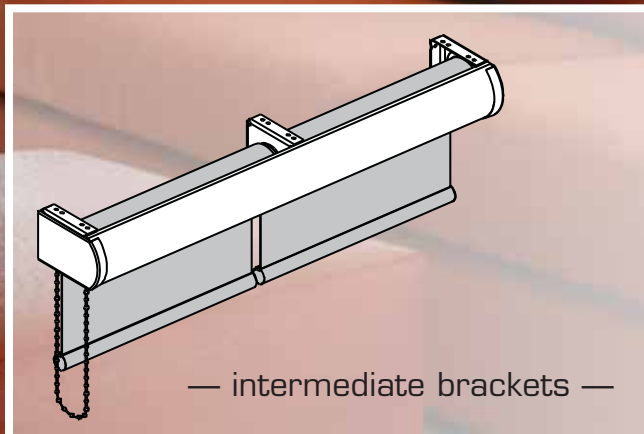




Designer Shade Edition

— enjoy the view —

Designer roller shades from **Elite Window Fashions** provide a functional, yet decorative means of not only controlling light and warmth, but also a subtle ambience, enabling tranquility and relaxation. **Heat control and UV protection:** when it comes to sun protection, Elite provides a truly innovative range of solutions. In many cases this new collection of designer shade fabrics achieves this without losing the view.



Linked Shades

— the uncluttered look —

Intermediate brackets provide the ability to link many shades from one control, thereby minimizing unsightly light gaps and cumbersome cords & chains. Centre support brackets allow for operation of two or more shades with minimal light gaps between them.

Each is available with square or curved 3" or 4" fascias.

(see page 16 for additional hardware options & see pricelist for more details)



Duo Shades

— the ultimate privacy solution —

Duo shades from Elite offer daytime privacy, view through, and sun control, while at night you can enjoy **room darkening and insulation** all in one complete system. Duo shades are also available with Elite's linked systems & with fascia options.

(see page 16 for additional hardware options & see pricelist for more details) 5



Panel Drapes

— the modern day curtain —

Panel drapes are a striking alternative to more common window coverings and are particularly well-suited to sliding doors. Their **curtain-like overlapping panels** cleverly remove light gaps. In situations where cords are not wanted, panel drapes can be fitted with a simple wand for precision control.



Teardrop Style



Flat Panel Style



4" Rope Cornice
Wood Valance

Roman Shades

— elegant styling —

Roman shades can be specified to coordinate with key elements of a room's decor. Designer fabrics from Elite's new collection allow you to choose options to create a timeless and elegant appearance in either **teardrop or flat panel styles**.

To top off your window choose from the character of natural timber with our decorative **4" rope cornice wood valance**. Roman shades from Elite offer superior quality, more choice, and instant style.



Solar Shade Edition

— Premium Performance Fabrics —





Solar Shade Edition

- Heat Control —
- Light Control —
- View Through —

From light filtering and room darkening to complete blackout, The Solar Shading Edition from Elite is sure to meet your needs for any home or office application. Solar shades are an effective and economical way to reduce heat and glare inside a room. They can block damaging UV rays and can also reduce your cost of energy. Whether for business or pleasure, these versatile fabrics are suitable for any room setting.

Solar Shades - the lingo & what you should know

When considering a solar shade solution for homes/offices, here are some basic terms and concepts to help you with your choice of shade.

1. Visual Properties



Examples of OF

Openness Factor (OF): The amount of view through is expressed as %. The lower the %, the less you'll be able to see outside.



Visible Light Transmittance (Tv): Measures how much visible light passes through shade fabric.



UV Light Transmittance (Tuv): Measures how much UV light passes through shade fabric.

Shade Colour: How much light and heat passes through/reflected by your fabric is determined largely by fabric colour. Dark colours will help to reduce glare but will absorb more heat and make a room hotter. Light coloured fabrics such as whites and greys will reflect more heat but will allow more light to pass through the yarn making glare an issue.



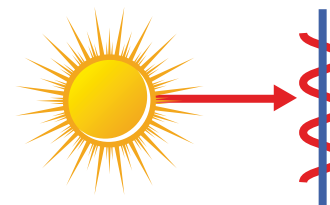
Note: with metalized fabric, colour is independant of these heat and glare factors.



2. Thermal Properties:

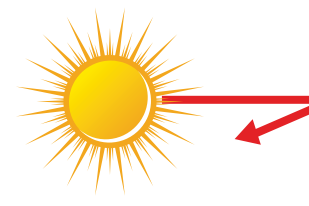


Energy radiated by the sun will be measured by the following 3 factors:



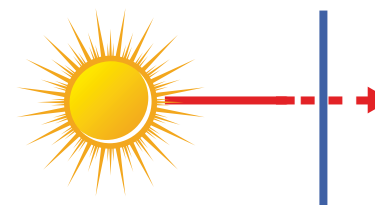
Solar Absorption (As):

A measure of how much heat the fabric absorbs



Solar Reflection (Rs):

How much heat is reflected by the fabric



Solar Transmission (Ts):

The total amount of heat transmitted through the fabric

ELITE
WINDOW FASHIONS™
SHADES SHUTTERS DRAPES



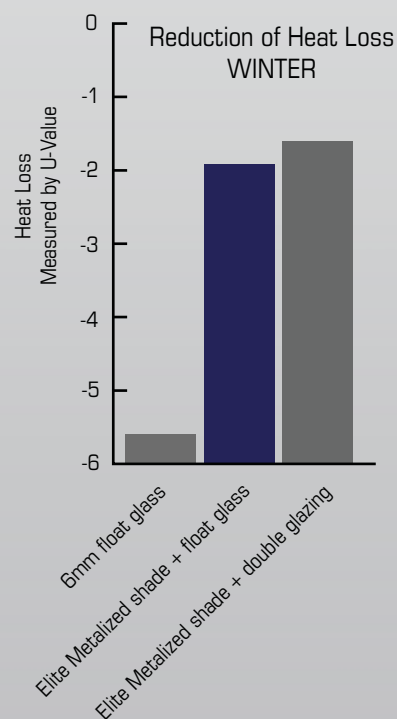
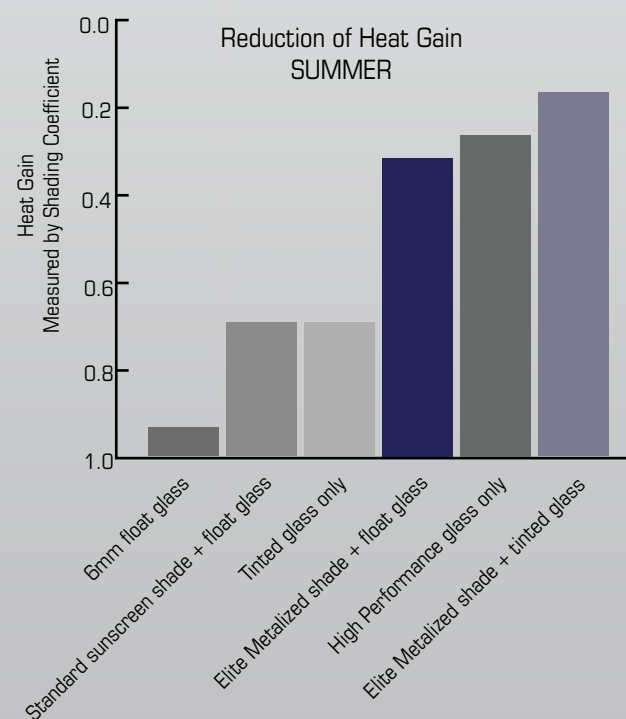
Metalized Fabric from **Verosol**

ELITE[™]
WINDOW FASHIONS
SHADES SHUTTERS DRAPES

The Benefits Of Metal Backed Fabrics For Window Shades

Elite metal backed fabrics from Verosol provide unparalleled heat and glare control while preserving your view outside. They are the most effective range of solar shade fabrics available and offer architects, specifiers, designers, and building managers the following benefits:

1. Savings on the capital costs of glass
2. Savings on the capital cost of air-conditioning
3. Savings on the running cost of heating & air conditioning
4. Improved occupant comfort levels (e.g. reduced glare)
5. Colour independent properties
6. Reduction of a building's carbon footprint



Metalized Fabric from **Verosol**

ELITE
WINDOW FASHIONS™
SHADES SHUTTERS DRAPES

View Through & Glare Control

There's a reason why everyone wants the corner office...

Rooms with a view:



Standard Screen Fabrics

As a general rule with common screen fabrics:

- light coloured fabrics reflect heat but allow more light through
- dark coloured fabrics absorb heat but allow less light through

Metalized Fabrics


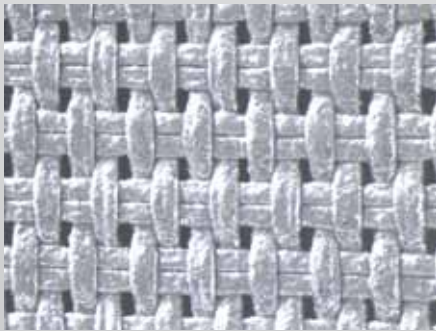
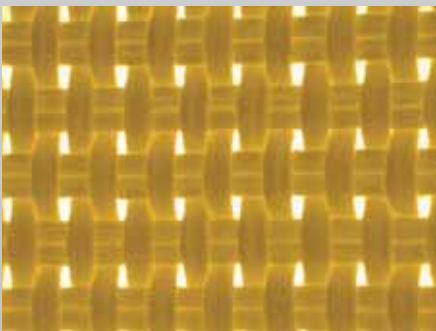
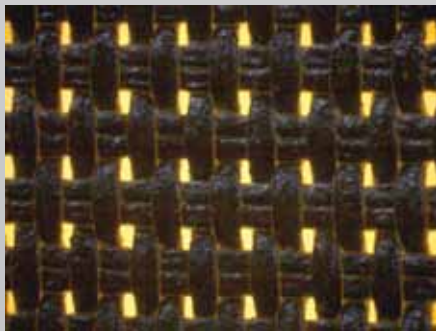
As a general rule with metalized fabrics:

- heat and light properties are independent of fabric colour
- fabrics are more energy efficient than standard fabrics

What does it all mean?

With metalized fabric it does not matter which colour you choose. There is no trade-off between light or dark colours because each will perform virtually the same way with respect to heat and light. The metalized layer blocks heat and light that would otherwise pass right through the yarns!

You have the freedom to choose any colour to match any room's decor!

	Common Screen Fabric	SilverScreen Fabric
Front Illumination		
Back Illumination		

You can see microscopic views of standard screen (left) and SilverScreen (right). Notice the difference when light is applied to the back of each fabric.

It is this feature of the metal backing that gives these fabrics their unique characteristics making them superior for heat control, light control, and view through.

Metalized Fabric from **Verosol**

ELITETM
WINDOW FASHIONS
SHADES SHUTTERS DRAPES

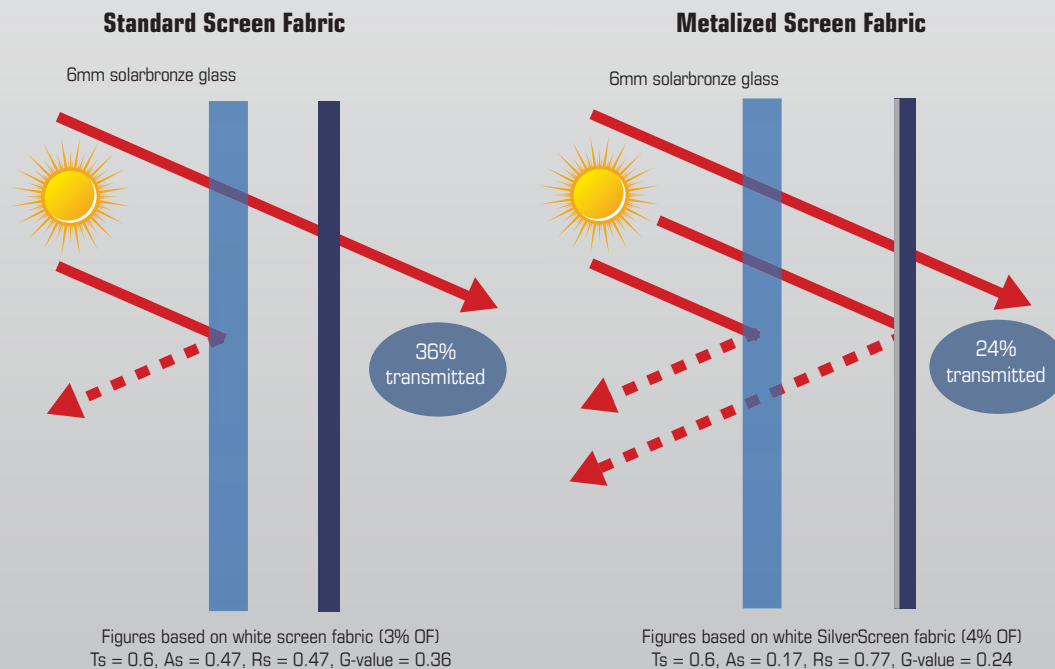
Energy Savings

Heat Control



Windows are the greatest entry point for solar radiation into a home or building. When the sun's rays strike a building's facade, some of the solar heat is reflected or absorbed by the glass and facade. The rest, however, is transmitted through the glass and onto furnishings, window treatments, and finally onto people inside the building. Air Conditioning has to work extra hard to ensure comfortable temperatures for people throughout a building.

Metal backed shades from Elite reflect solar radiation before it enters the room.



Elite metal backed shades, in combination with even lightly tinted 6mm glazing, can yield **better results** than using high performance glass with standard screen shades. The above diagrams illustrate how using Elite's metallized fabrics can dramatically **reduce the costs** of cooling your home or office.



Metalized Fabric from Verosol



Roller



Roman



Wireless Wall Switch/Timer



5 Channel Remote Control

Automation

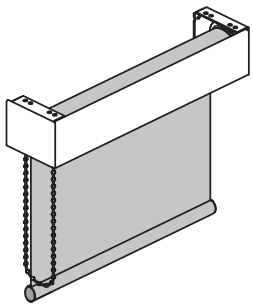
- remote control options
- for large shades —
- for out-of-reach shades —
- for home automation —

somfy®
Automation & Controls

Raising a large blind is heavy work. Remote control makes life easier for the whole family. For larger blinds in high-use rooms or for shades that are out of reach, automation by Somfy® is an absolute must.

Hardware Options

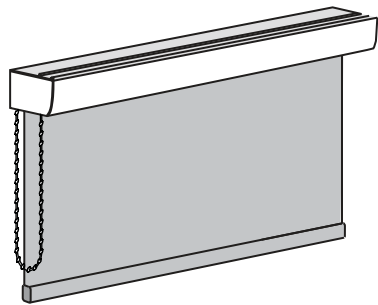
— sleek contemporary design —



STANDARD 3" or 4" FASCIA

Available in square (shown) or curved designs. Elite also offers a fabric wrapped option to coordinate your shade fabric with the fascia.

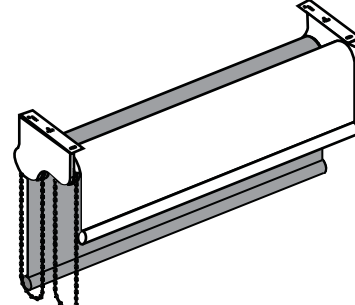
Fascia Colours: Anodized Aluminum, White, Black, Alabaster, Bronze, & Fabric Wrapped



3" VIENNA SEMI-CASSETTE

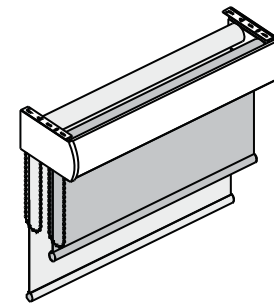
Comes as a fully assembled unit making installation easy & simple. The optional deluxe semi-cassette can hold larger shades making the Vienna cassette a truly versatile option.

Fascia Colours: Anodized Aluminum, White, Alabaster, & Fabric Insert



DUO SHADE

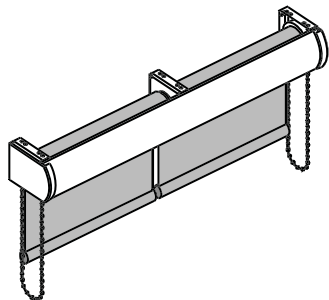
Lets you control two fabrics of different opacities for ultimate privacy (also available as linked shades; fascia not available). Reverse roll option gives the appearance of a valance when outside fabric is raised.



DUO SHADE WITH 4" FASCIA

Lets you control two fabrics of different opacities for ultimate privacy. Duo shades are also available as linked shades. See std. fascia for size & shape options.

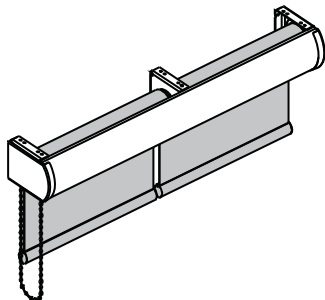
Fascia Colours: Anodized Aluminum, White, Black, Alabaster, Bronze, & Fabric Wrapped



LINKED SHADES: CENTRE SUPPORT

Allows you to control two or more shades butted against each other independently and with **minimal light gaps** between shades. See std. fascia for size & shape options.

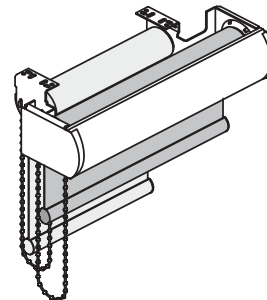
Fascia Colours: Anodized Aluminum, White, Black, Alabaster, Bronze, & Fabric Wrapped



LINKED SHADES: INTERMEDIATE

Allows you to control two or more shades in a row with only one control and with **minimal light gaps** between shades. See std. fascia for size & shape options.

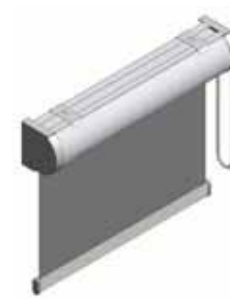
Fascia Colours: Anodized Aluminum, White, Black, Alabaster, Bronze, & Fabric Wrapped



COMBO DUO SHADE:

Places the front shade outside the window molding while the back shade fits inside your window frame. No light gap, total privacy. See std. fascia for size & shape options.

Fascia Colours: Anodized Aluminum, White, Black, Alabaster, Bronze, & Fabric Wrapped



2" VEROSOL SINGLE CASSETTE

With only a 2"x2" profile, this slim cassette is perfect for shallow window frames and thin fabrics. Fully-assembled and fully-enclosed this cassette makes for simple and easy installation.

Fascia Colours: Anodized Aluminum, White



3" VEROSOL TWIN CASSETTE

For ultimate privacy; two fabrics of different opacities let you control how much or how little light enters your room and all in one compact, 3"x4" fully-enclosed & fully-assembled cassette.

Fascia Colours: Anodized Aluminum, White

Note:
For measuring & installation instructions, and specifications, please see retail pricelist.

somfy®

Automation & Controls



HEAD OFFICE

Telephone • (905) 660-0049

Fax • (905) 660-1683

Toronto Line • (416) 661-8811

Toll Free Telephone • 1-800-387-3566

Order Desk Toll Free Fax • 1-800-665-3672

E-mail • customerservice@elitewf.com

CALGARY, AB

Telephone • 1-800-459-3410

Fax • 1-800-840-2917

RICHMOND, BC

Telephone • (604) 247-1441

Fax • (604) 247-1461

Toll Free Telephone • 1-866-766-1441

E-mail • richmondcbc@elitewf.com

ELITETM
WINDOW FASHIONS

SHADES SHUTTERS DRAPES

One Applewood Crescent, UNIT 1, Concord, ON L4K 4K1

www.elitewf.com

ELITETM